

Septic Tank INLET & OUTLET FITTINGS

PVC PRODUCTS



PRODUCT CODE

Fittings: Inlet IF1, Outlet OF2, Wall Sleeve WS100/64

PO Box 125
Cobbitty 2570
Ph: 1300 794 633
sales@nobisproducts.com.au

 **nobis**
products

Septic Tank Inlet and Outlet Fittings



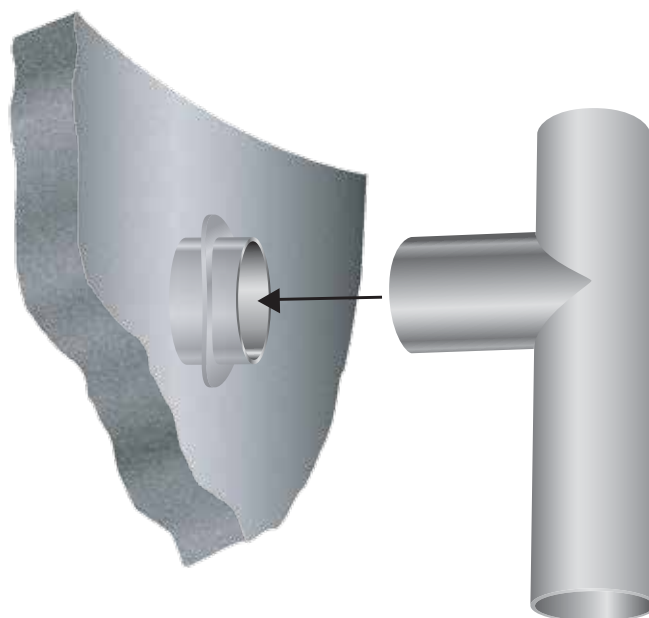
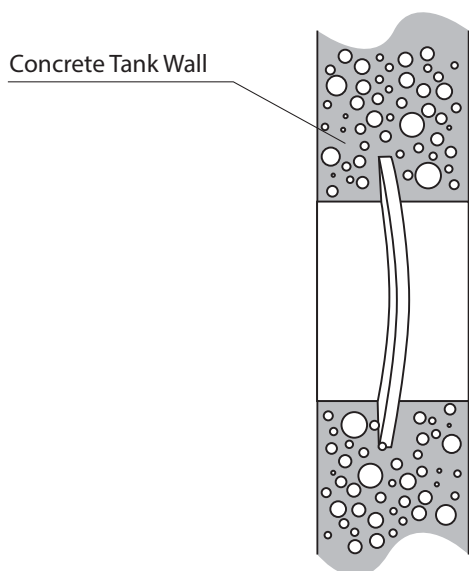
Inlet and Outlet fittings

Nobis inlet and outlet fittings are designed to comply with AS/NZS1546.1:2008, Figure 3.2, On-site domestic wastewater treatment systems – Septic tanks.

The fittings reduce short circuiting between the septic tank inlet and outlet and prevent the scum layer flowing out of the tank.

The fittings are matched to fit the Nobis wall sleeve (WS100/64).

All Nobis PVC fittings are manufactured from virgin PVC and produced from moulds that produce a consistent product allowing easy gluing and no distortion.



Wall Sleeve

Nobis Wall couplings or sleeves are 100mm DWV PVC fittings designed to form penetrations in any type of tank wall. They can be used for concrete, plastic, fibreglass or steel tanks. See Tank Coupling brochure for more information.

NP ST2

PRODUCT CODE

Fittings: Inlet IF1, Outlet OF2, Wall Sleeve WS100/64

PO Box 125
Cobbitty 2570
Ph: 1300 794 633
sales@nobisproducts.com.au

 **nobis**
products